

Candy Crush SAGA



Candy Crush (Ticket)

CC-42-1001



ADRENALINE
aagames.com

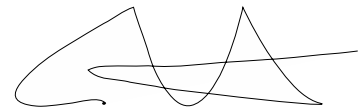
Operation & Service Manual

Version 1.0

*** Read this manual before use**

General Remark

If you encounter any difficulties or if you need support on how to update and/ or install your Candy Crush product, we invite you to contact your local distributor or reach us at support@aagames.com or by calling our support line +1-450-824-1671



Adrenaline Amusements Team

Adrenaline Amusements
1150 Levis, Suite 302
Terrebonne, Qc
Canada
J6W 5S6

Table of Contents

Contents	
General Remark	2
Table of Contents	3
Chapter 01 - Preface	5
Precaution for Game Operation.....	5
Safety.....	6
Environmental Conditions.....	6
Chapter 02 - Game Features	7
How to Play	7
Chapter 3 – Unit Features	8
Hardware Features.....	8
Cabinet Facts	8
Voltage	9
Chapter 04 - Unit Installation	10
Assembling your Candy Crush Tickets Unit.....	10
Chapter 05 – Operator Menu	13
Operator Menu	13
Chapter 06 - Service & Repair	15
Computer Connections	15
Troubleshooting	16
Video Troubleshooting.....	16
Audio Troubleshooting	17
Chapter 07 - Parts	18
Cabinet Parts	18
Electronics	19
Thermoplastic.....	20

Wheel Assembly	21
Computer Parts	22
Cabling	22
Wiring Harness	22
Misc. Parts	23
I/O board LC-04-1001	24
Chapter 08 – Diagrams & Schematics	26
Power Distribution	26
IO Board Wiring Diagram	27
Chapter 09 – Software Recovery	28

Chapter 01 - Preface

Please read this page before preparing your Candy Crush product for game play.

The following safety instructions apply to all game operators and service personnel. Specific warnings and cautions will be included throughout this manual.

Use the following safety guidelines to help protect the system from potential damage and to ensure your personal safety:

- Electronic components in the game cabinet run on 110V AC 60Hz (220V/ 50Hz in most of Europe, the Middle East and the Far East delivered units).
- To help prevent electric shock, plug the system into a properly grounded power source. These cables are equipped with 3-prong plugs to help ensure proper grounding. Do not use adapter plugs or remove the grounding prong from a cable. If you must use an extension cable, use a 3-wire cable with properly grounded plugs.
- To help protect your system from sudden increases and decreases in electrical power, use a surge suppressor, line conditioner or Uninterruptible Power Supply (UPS).
- Be sure nothing rests on the system's cables and that the cables are not located where they can be stepped on or tripped over.
- Keep your system far away from radiators and other heat sources.
- Do not block cooling vents.

Precaution for Game Operation

Adrenaline Amusements Inc. assumes no liability for injuries incurred while playing our games.

Operators should be aware that certain health and physical conditions may make people susceptible to injury when playing video games.

Safety



To avoid electrical shock, unplug the cabinet before performing installation or service procedures.

If a power cord is damaged, it must be replaced by the equivalent power cord available from your distributor.



Adrenaline Amusement Inc. assumes no liability for any damages or injuries incurred while setting up or servicing the cabinet. Only qualified service personnel should perform installation or service procedures.

Environmental Conditions

Cabinet is intended for indoor use only. Be sure to keep the cabinet dry and maintain operating temperatures of 59°F - 86°F (15°C - 30°C).

Chapter 02 - Game Features

Win a lot of tickets!

How to Play

- Explore the sweet and colourful world of Candy Crush Saga in this fun match-3 game!
- Switch and match your way through 15 of levels in this delicious puzzle adventure.
- 100% Skill game.
- Clear all the jelly to spin the wheel.
- Win the 15 Levels and get the Ticket Super Bonus!

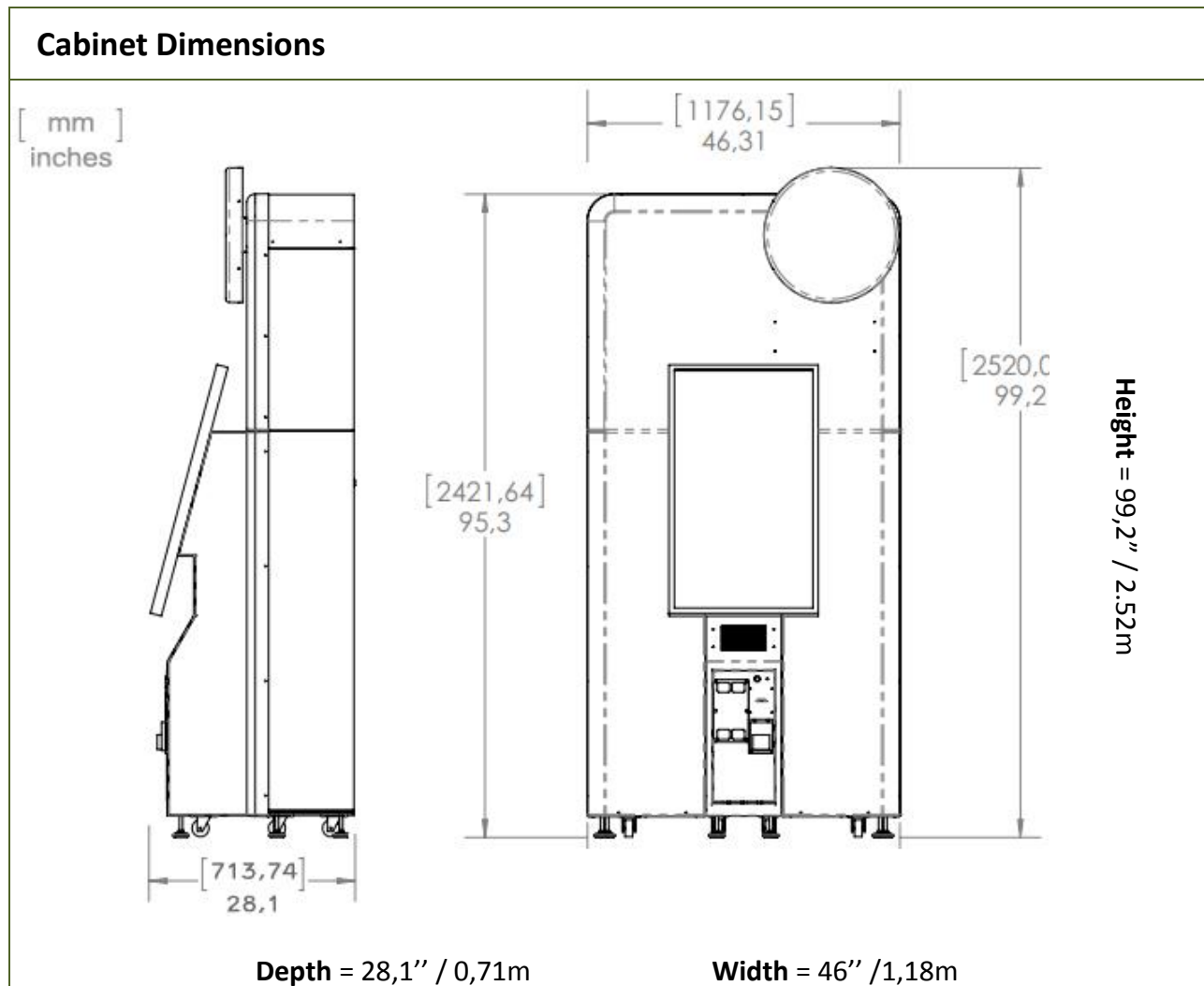


Chapter 3 – Unit Features

Hardware Features

- Multitouch Screen
- LED Adjustable Super Bonus
- Ticket Bonus Motorized Wheel

Cabinet Facts



Shipping Dimensions

Width = 50" Height = 48"
Weight = 700 lbs

Voltage

Voltage	Operating
110V AC	4 AMP
220V AC	2 AMP

Chapter 04 - Unit Installation

Assembling your Candy Crush Tickets Unit

1. Carefully remove the 2 Cabinet parts from the shipping container, giving you enough space.
2. Move the bottom cabinet to the desired location.

**** For your security, minimum 2 persons are needed to complete the installation ****

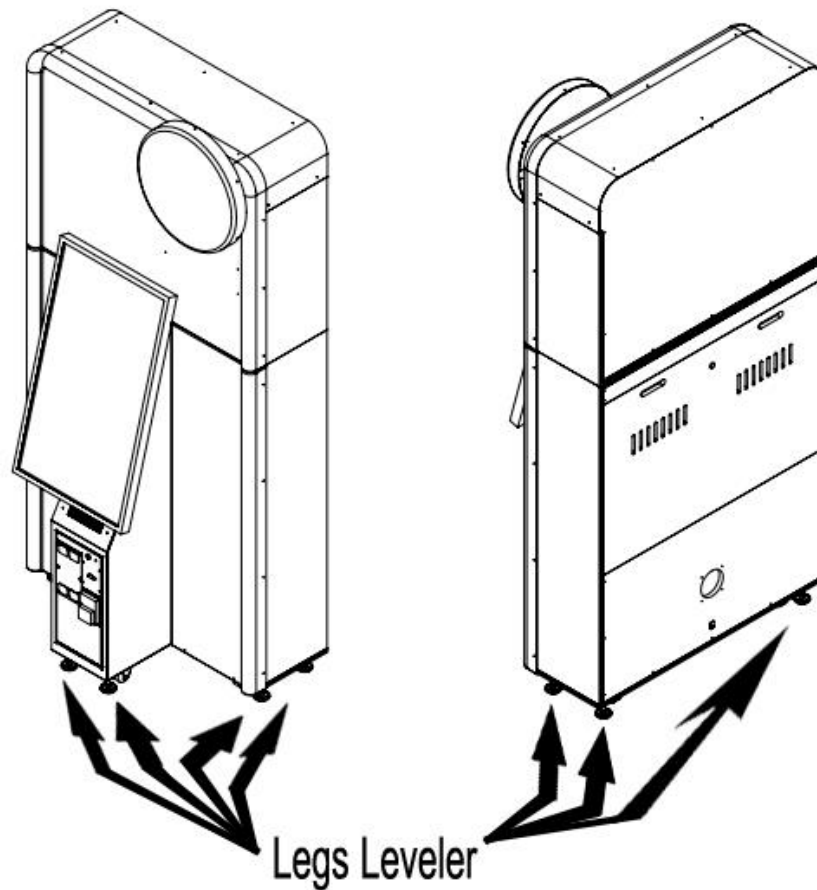


Fig. 1

3. Adjust the legs leveler.

4. Before installing the upper cabinet, remove both back service doors, locate the 5 bolt holes on the bottom cabinet and the 5 bolts inserts on the upper cabinet.
5. **** 2 persons needed here **** Install the upper cabinet on the bottom one, align the bolt holes with the bolt inserts, affix and tighten the 5 bolts.

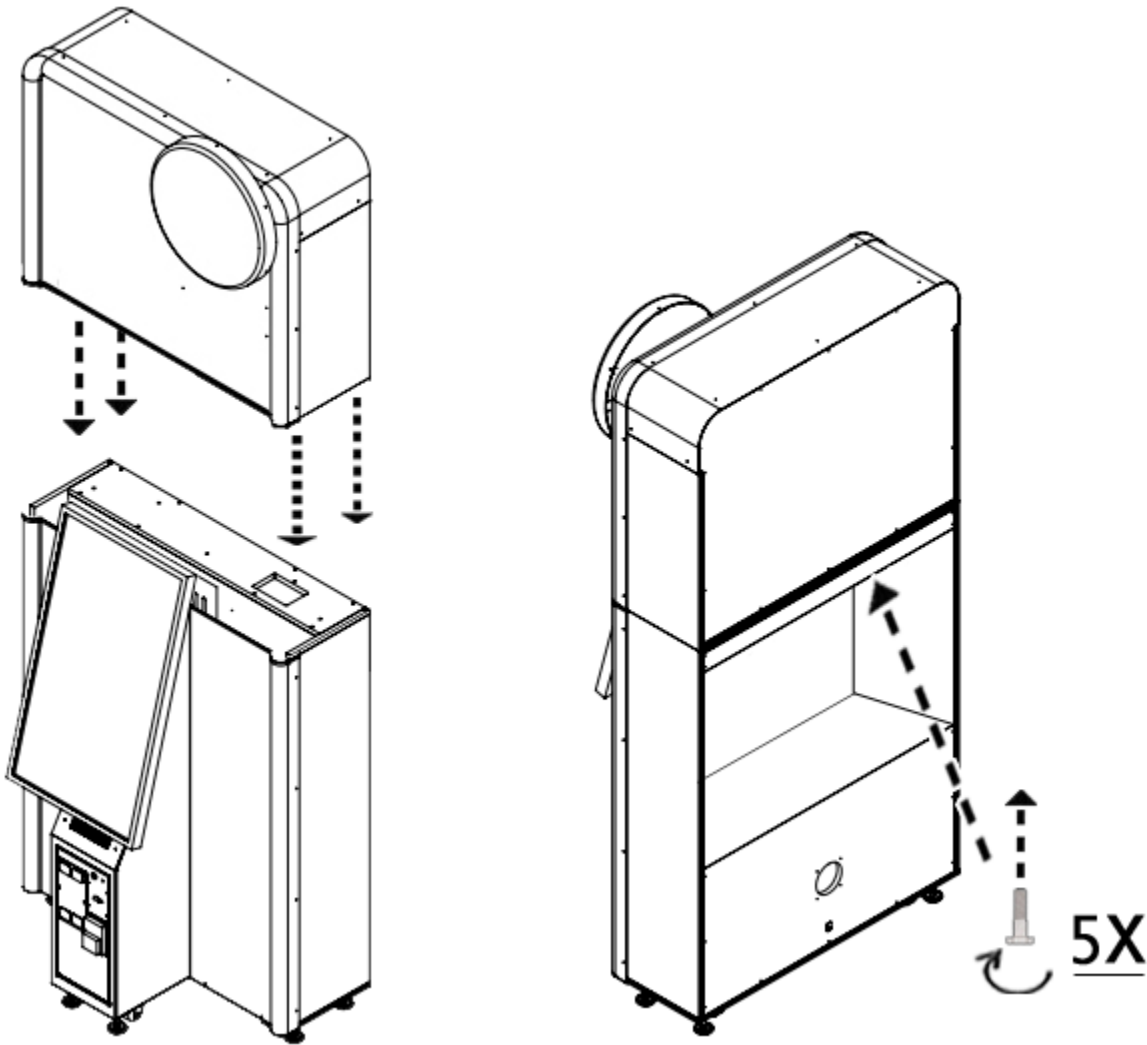


Fig. 2

- From the upper cabinet, find the 3 cables that need to be connected to the bottom cabinet.
Connect the Power Supply AC cable from the top cabinet to AC the power bar.
Connect the 5-pins connector from the LED display to the IO Board connector J21.
Connect the 10-pins connectors together as seen on figure 3.
Re-install the back service doors.

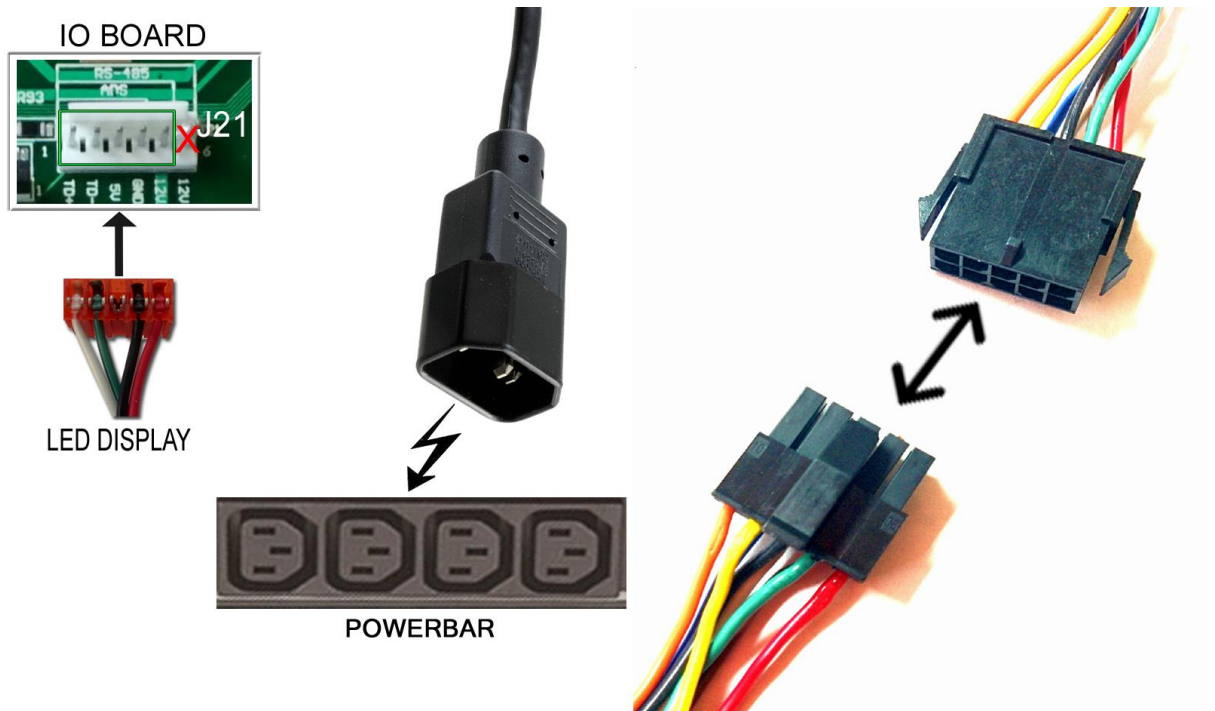


Fig. 3

Chapter 05 – Operator Menu

Operator Menu

Access the Operator Menu by pressing the switch button located inside the coin door.

Operator Menu

Credits per game	<input type="button" value="◀"/> <input type="text" value="4"/> <input type="button" value="▶"/>
Game Audio Volume	<input type="button" value="◀"/> <input type="text" value="20"/> <input type="button" value="▶"/>
Attrack Mode Volume	<input type="button" value="◀"/> <input type="text" value="15"/> <input type="button" value="▶"/>
Ticket Value	<input type="button" value="◀"/> <input type="text" value="1"/> <input type="button" value="▶"/>
Payment Type	<input type="button" value="Credits"/> <input type="button" value="▼"/>
Redemption Mode	<input checked="" type="checkbox"/>
Redemption Units Name	<input type="button" value="Tickets"/> <input type="button" value="▼"/>
Super Jackpot Payout Tickets	<input type="button" value="◀"/> <input type="text" value="5000"/> <input type="button" value="▶"/>
Minimum Tickets Payout	<input type="button" value="◀"/> <input type="text" value="0"/> <input type="button" value="▶"/>
Payout Adjustment	<input type="button" value="◀"/> <input type="text" value="4"/> <input type="button" value="▶"/>
Moves Per Level	<input type="button" value="5 Moves"/> <input type="button" value="▼"/>

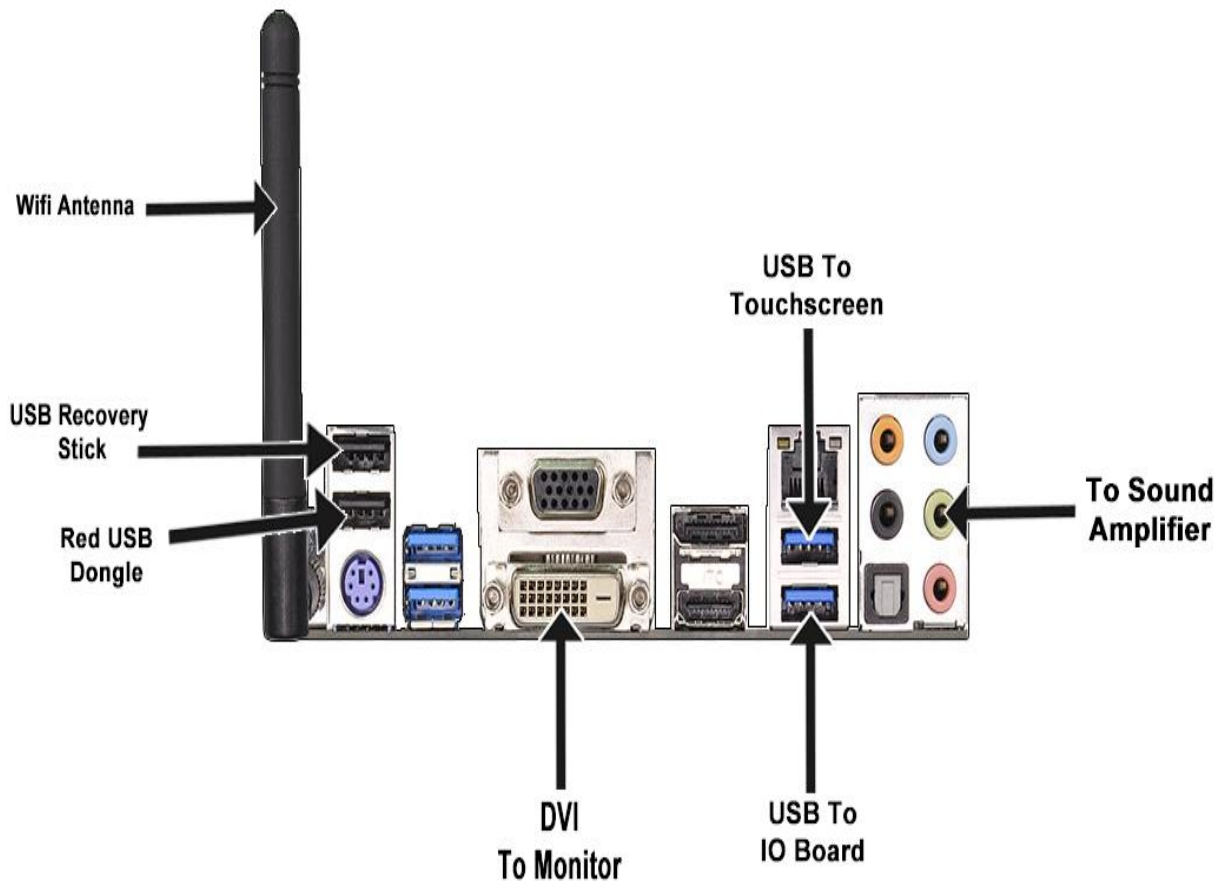
Fig. 4

Candy Crush Tickets Manual V1.0
Chapter 05 –Operator Menu

Operator Menu	Values	What it does
Credits Per Game	0 – 20	Adjusts the number of credits required to play. “0” sets the unit in free play mode.
Game Audio Volume	0 – 20	Adjusts the in-game audio volume. “0” will mute the game.
Attract Audio Volume	0 – 20	Adjusts the audio volume of the attract loop. “0” will mute the attract loop.
TicketValue	1 – 2	Adjusts the value of physical tickets. Physical tickets are either worth “1” ticket or “2” tickets.
PaymentType	Credit/Card	Changes the credit type. “Credits” = Coins and “Card” = Card Reader. This will change the in-game text accordingly
Redemption Mode	Yes/No	Adjusts the redemption mode. This will change the in-game text accordingly. Checkmarked is Yes while No Checkmark is No.
Redemption Units Name	Tickets/Coupons	Adjusts the in-game text accordingly.
Super Jackpot Payout Tickets	500-5000	Adjusts the LED display and the number of tickets given when Super Bonus is won.
Minimum Tickets Payout	0-20	Adjusts the minimum number of tickets dispensed per play.
Payout Adjustment	1-9	Adjusts the payout of tickets given. 1 will give less tickets while 9 will give more tickets per play.
Undo	N/A	Press on Undo to clear the last change made and bring it back to default.
Clear Credits	N/A	Press on Clear Credits to clear the inserted credits.
Diagnostic	N/A	Press Test Wheel to calibrate the Bonus Wheel.
Stats	N/A	Shows the Stats Screen.
Resume Game	N/A	Exit from the Operator Menu and go back to the game.
Exit to Windows	N/A	Exit the game and return to the Operating System desktop.

Chapter 06 - Service & Repair

Computer Connections



Troubleshooting

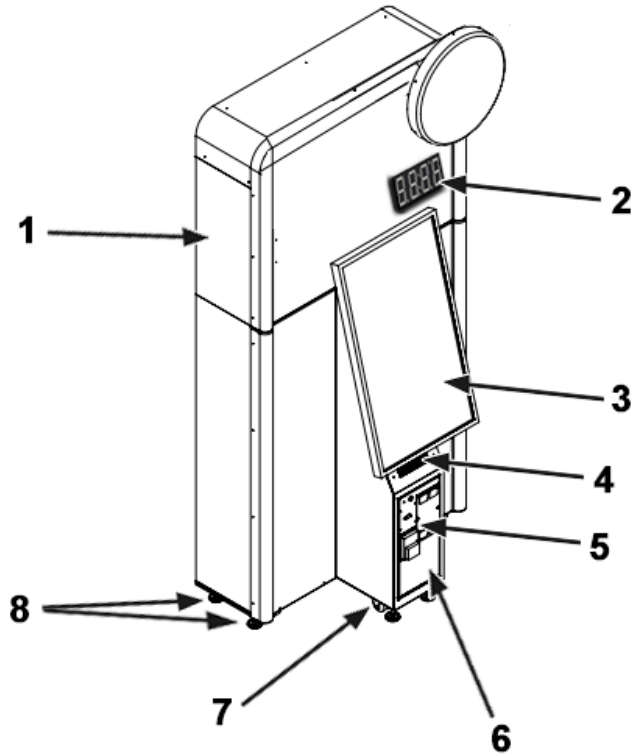
*** NOTE: When requesting a warranty replacement you will be asked to give the unit’s serial number from the back of the unit.**

Video Troubleshooting	
No Picture and Sound	To change between Portrait and Landscape mode, press ALT-P (Portrait) or ALT-L (Landscape) using a USB keyboard.
	There could be loose or faulty connections between the monitor and the computer. Make sure the DVI cable is connected properly to both the computer and to the DVI connector of the LCD monitor. Turn the Monitor switch on/off.
	No power to computer. <ul style="list-style-type: none">• Verify the computer is ON.• Open the front service door and press the RED or WHITE power button.• Make sure that the power plug is well connected.
	The Bios settings have changed, If the computer does not power automatically when the unit is powered on, follow these steps: <ul style="list-style-type: none">• Open the cabinet and plug a USB keyboard in one of the remaining USB ports.• Press and hold the “Delete” key on the keyboard and then turn the computer on. Keep holding the “Delete” key until the Bios screen appears.• Using the arrows, select the “Advanced” tab.• Using the arrows, scroll down to the ACPI Configuration option and press the “Enter” key.• Using the arrows, scroll down to the Restore on AC/Power Loss option and press the “Enter” key.• Using the arrows, select the Power On option and press the “Enter” key.• Press the “F10” key then the “Enter” key to exit the Bios screen.

Audio Troubleshooting	
Low Volume / No Sound	Increase the volume in the game by pressing the Operator Button and adjusting the volume options in the Operator Menu. You might also Quit the game to the desktop and increase the volume via the Speaker icon.
	Verify that the 1/8" plug is plugged in the computer's green sound input jack and that the other end is plugged in the sound amplifier. To verify if it's plugged properly, power up the unit and try touching the plug at the computer's end. If you hear a grounding sound it is connected.
Dongle not found	The USB License Dongle can't be found. Make sure that the USB Dongle is connected to the computer in a black USB port.

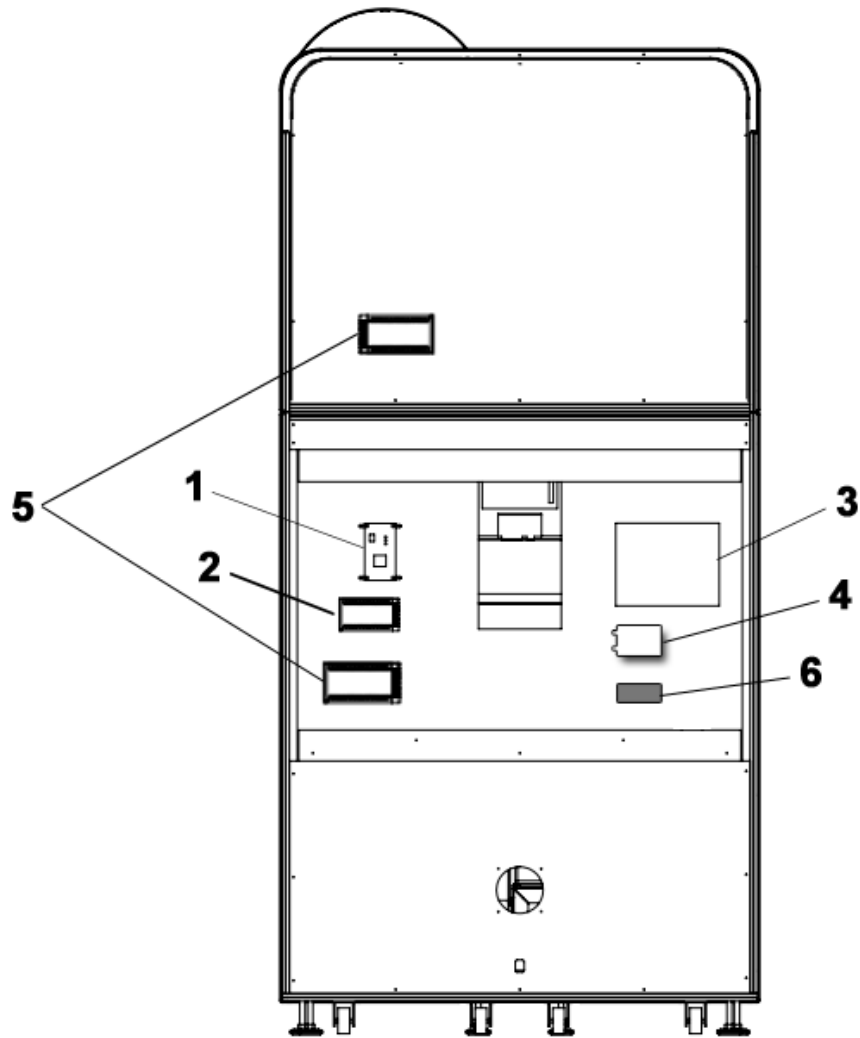
Chapter 07 - Parts

Cabinet Parts



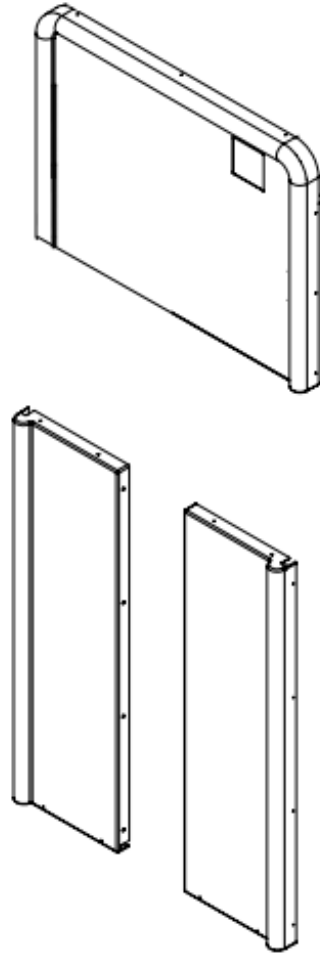
Ref	Part Description	Part #
1	Wood Cabinet	CA-02-1021
2	LED Digits Display	INV-14-1024
	LED Digits Board	CA-04-1200
3	42" Touchscreen Monitor	CA-10-1001
	Touchscreen only	CA-10-1001-TCH
4	Speaker	ADR-50-9986-00
5	Ticket Dispenser	ADR-42-1337-00
6	Door	INV-01-2050 rev. A
7	2.5 Dia Pivot Caster	INV-F25083
8	Leg Leveler	INV-62805K39

Electronics



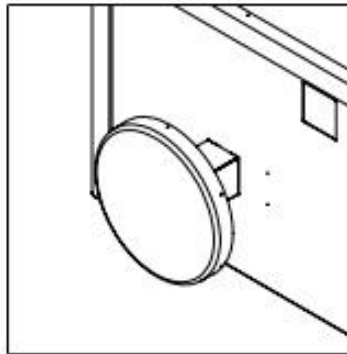
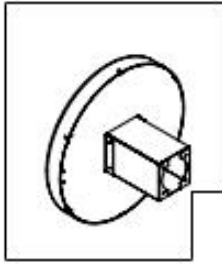
Ref	Part Description	Part Number
1	I/O Board	LC-04-1001
2	SuzoHapp 5V/12V Power Supply	ADR-80-021-00
3	Computer	INV-11-CT-CPU
4	Audio Board Amplifier	INV-14-0005
5	SuzoHapp 12V/10A Power Supply	ADR-80-0215-00
6	12V Computer Power Supply	INV-14-0006

Thermoplastic



Part Description	Part Number
Kit of 2 side	CA-09-1002
Top Panel	CA-09-1003

Wheel Assembly



Part Description	Part Number
Wheel Cover	CA-07-0003
Printed Wheel	CA-09-1001
Motor Case	CA-01-0001
Wheel Plate	CA-01-0003
12V Motor	CA-14-1001
Motor HUB	CA-14-1002
Magnet	CA-D61AD-P
10X LED squared puck	INV-14-1026
Magnet Sensor	ADR-HE597-ND
Logo Center Sticker	CA-09-1004

Computer Parts

Part Description	Part Number
Motherboard AsRock QC5000	INV-11-1011
PICO-PSU	INV-11-1013
Hard Drive with OS & Game	INV-11-1014
USB restore disk	INV-11-2001
Orange USB dongle	TF-04-1211
12V 5A Power Supply	INV-14-0006

Cabling

Part Description	Part Number
IO Board 3Feet USB "AB"	ADR-USB-AB1-03
Connector Y	TF-05-1223
Stereo RCA @ 1/8" Cable	INV-35MM-RCA

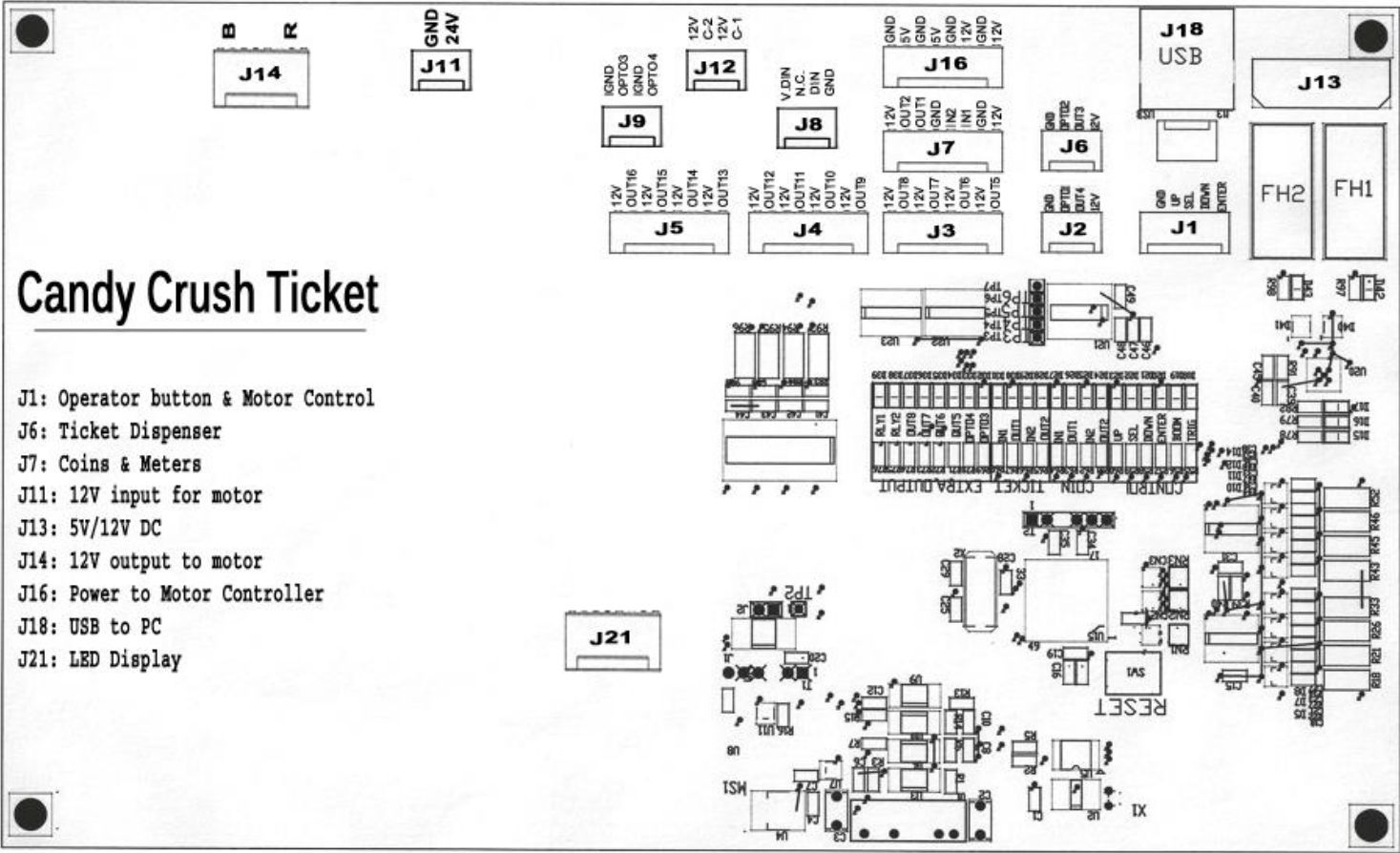
Wiring Harness

Part Description	Part Number
Motor Wheel to IO Harness	CT-03-4010
IO to Motor Wheel Harness	CT-03-4020
12V Harness	CT-03-4030
Bonus LED Display cable	CT-03-4040
Coin Acceptor Harness	INV-03-4060
Ticket Dispenser Harness	INV-03-4070

Misc. Parts

Part Description	Part Number
Blank Panel for card swipe (optional)	KA-04-001-00
12V 7-Digits Meter with bracket	ADR-4-0754-07
Operator switch button	ADR-49-0577-01
Low ticket Switch	ADR-95-4225-00
Low ticket LED	ADR-L20691-ND
LED Strips 49"	INV-14-1025
Ticket Container	INV-07-1011

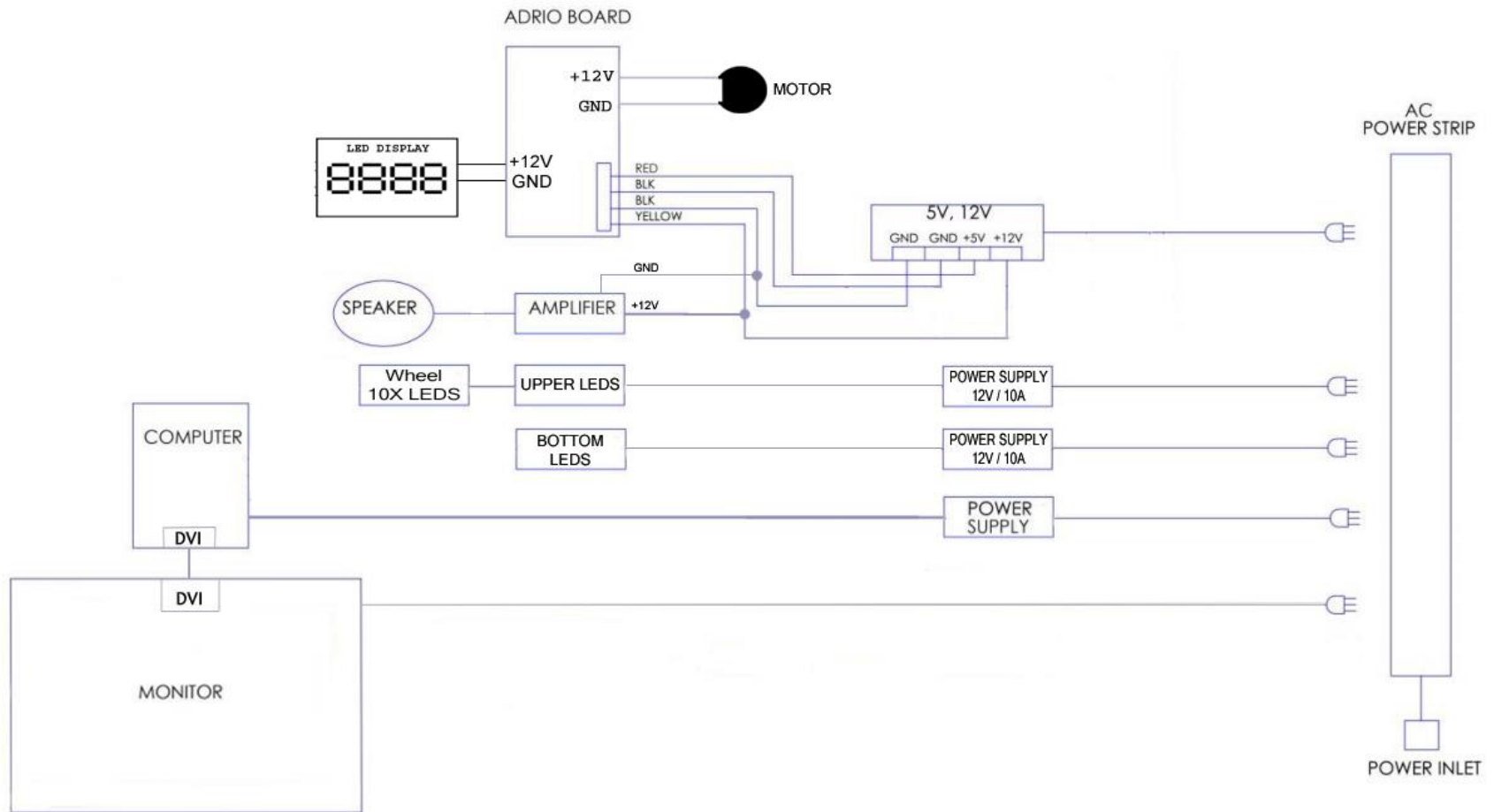
I/O board LC-04-1001



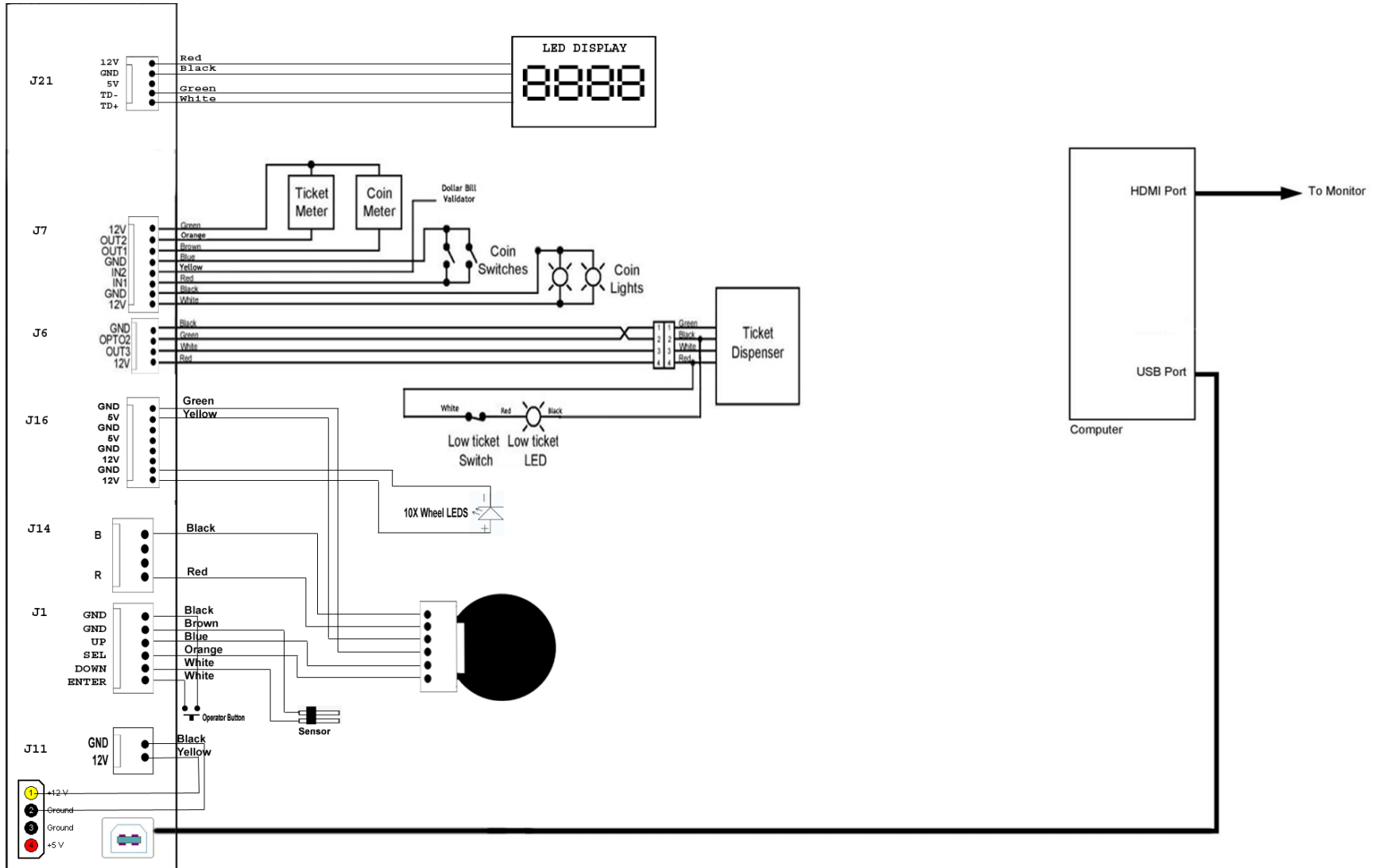
Candy Crush Tickets Manual V1.0
Chapter 07 – Parts

Chapter 08 – Diagrams & Schematics

Power Distribution



IO Board Wiring Diagram

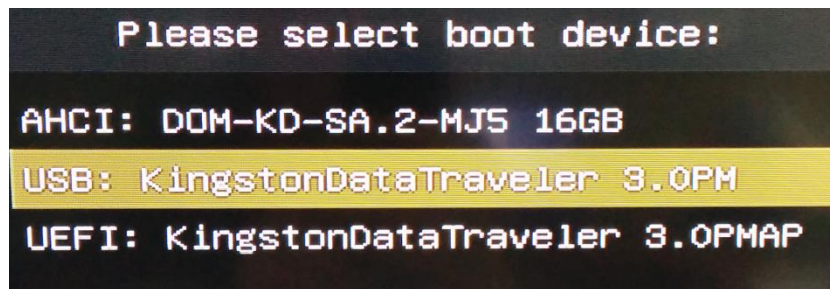


Chapter 09 – Software Recovery

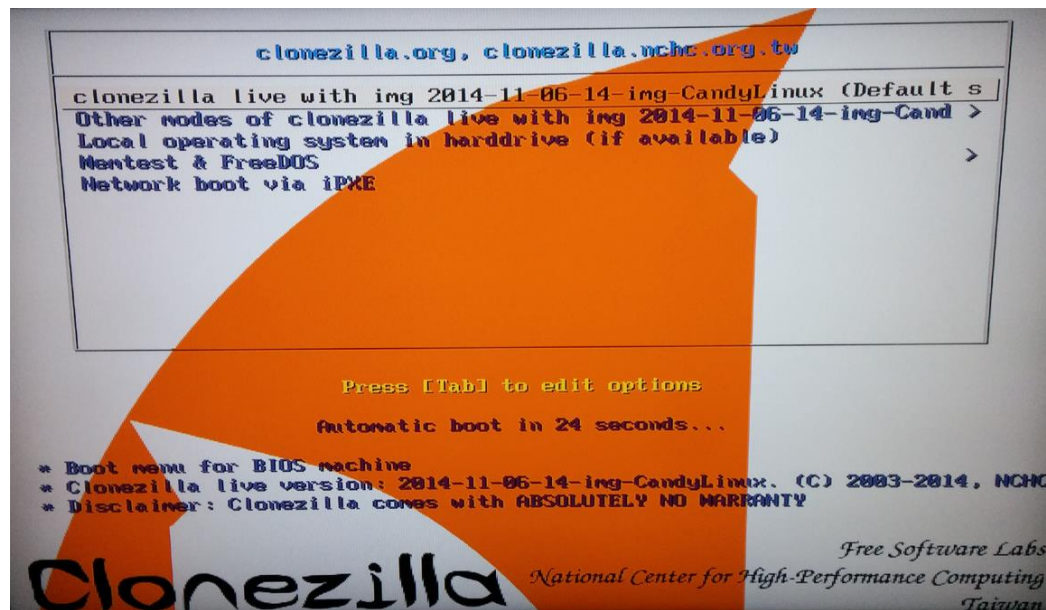
If your unit Operating System and software needs to be restored please follow those instructions.

The process takes 25-30minutes. If you use the Wireless network, your credentials will need to be re-entered and your Operator settings might needed to be adjusted if they were different from the default ones.

- Connect a USB keyboard to the motherboard.
- Power on the unit.
- Press F11 on your keyboard when the AsRock splash screen is displayed to enter the boot menu.
- Choose USB: and press Enter.



- You'll see the Clonezilla screen, press Enter to continue.



- You will see twice “Are you sure you want to continue? (y/n) Press Y and enter both times.

```

Clonezilla image dir: /home/partinag
*****
Shutting down the Logical Volume Manager
No volume groups found
Finished Shutting down the Logical Volume Manager
*****
Activating the partition info in /proc... done!
Getting /dev/sda1 info...
*****
The following step is to restore an image to the hard disk/partition(s) on this machine: "/home/part
inag/2014-11-06-14-img-CandyLinux" -> "sda sda1"
The image was created at: 2014-1106-1427
WARNING!!! WARNING!!! WARNING!!!
WARNING. THE EXISTING DATA IN THIS HARDDISK/PARTITION(S) WILL BE OVERWRITTEN! ALL EXISTING DATA WILL
BE LOST:
*****
Machine: Unknown product name
sda (16.0GB_DOM-KD-SA.2-MJ5_DOM-KD-SA.2-MJ5_16GB_984102900596)
sda1 (14.9G_ufat_DOM(In_DOM-KD-SA.2-MJ5_)_DOM-KD-SA.2-MJ5_16GB_984102900596)
*****
Are you sure you want to continue? (y/n) y ← Y ←
OK, let's do it!!
This program is not started by clonezilla server.
*****
Let me ask you again.
The following step is to restore an image to the hard disk/partition(s) on this machine: "/home/part
inag/2014-11-06-14-img-CandyLinux" -> "sda sda1"
The image was created at: 2014-1106-1427
WARNING!!! WARNING!!! WARNING!!!
WARNING. THE EXISTING DATA IN THIS HARDDISK/PARTITION(S) WILL BE OVERWRITTEN! ALL EXISTING DATA WILL
BE LOST:
*****
Machine: Unknown product name
sda (16.0GB_DOM-KD-SA.2-MJ5_DOM-KD-SA.2-MJ5_16GB_984102900596)
sda1 (14.9G_ufat_DOM(In_DOM-KD-SA.2-MJ5_)_DOM-KD-SA.2-MJ5_16GB_984102900596)
*****
Are you sure you want to continue? (y/n) y_ ← Y ←

```

- The Restore process will start and you'll have the Remaining Time displayed.

```

----- Partclone -----
Partclone v0.2.73 http://partclone.org
Starting to restore image (-) to device (/dev/sda1)
Calculating bitmap... Please wait... done!
File system: EXTFS
Device size: 12.3 GB = 3011840 Blocks
Space in use: 6.0 GB = 1461693 Blocks
Free Space: 6.3 GB = 1550147 Blocks
Block size: 4096 Byte

Elapsed: 00:00:06 Remaining: 00:02:11 Rate: 2.62GB/min
Current Block: 117862 Total Block: 3011840

Data Block Process: ██████████ 4.38%
Total Block Process: ██████████ 3.91%

```

- Once the restore is completed, select REBOOT and press Enter.

